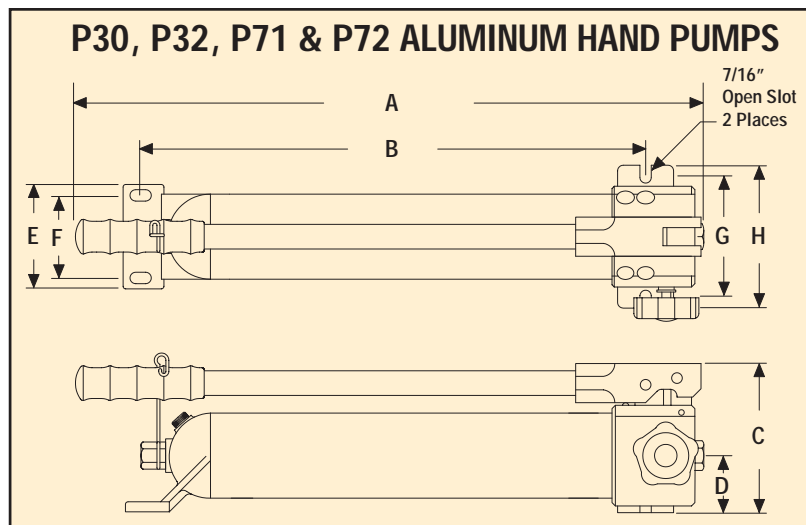




- 5 standard models in 30 and 70 cu. in. reservoir capacity.
- P30 is ideal for low pressure applications when a small light weight pump is required.
- Lever bar fastens for use as carrying handle.
- 25% faster per stroke than comparative pumps means less work for the operator.
- Low handle effort for easy operation.
- All alloy construction resists corrosion.
- 3/8" NPTF outlet ports.
- Complies with ANSI/ASME B30.1 safety standards.
- Weighing just 9 lbs. with a full 70 cu. in. of usable oil gives the P71 & P72 the highest available capacity at the least amount of weight.



Silver Lite Aluminum Hand Pumps For Single-Acting Cylinders

Model Number	Speed	Pressure Rating (PSI)	Oil Volume Per Stroke (cu. in.)	Usable Oil Capacity (cu. in.)	A (in)	B (in)	C (in)	D (in)	E (in)	F (in)	G (in)	H (in)	Weight (lbs)
P30	2	1 Stage 200	.91	30	16.46	11.81	5.55	2	5.51	4.25	4.56	5.50	8
		2 Stage 3000	.19										
P32	2	1 Stage 200	.43	70	24.09	19.44	5.55	2	5.51	4.25	4.56	5.50	9
		2 Stage 10,000	.06										
P71/P71V*	1	10,000	.14										
P72	2	1 Stage 200	.91	70	24.09	19.44	5.55	2	5.51	4.25	4.56	5.50	9
		2 Stage 10,000	.19										

\*P71V is equipped with Viton seals.

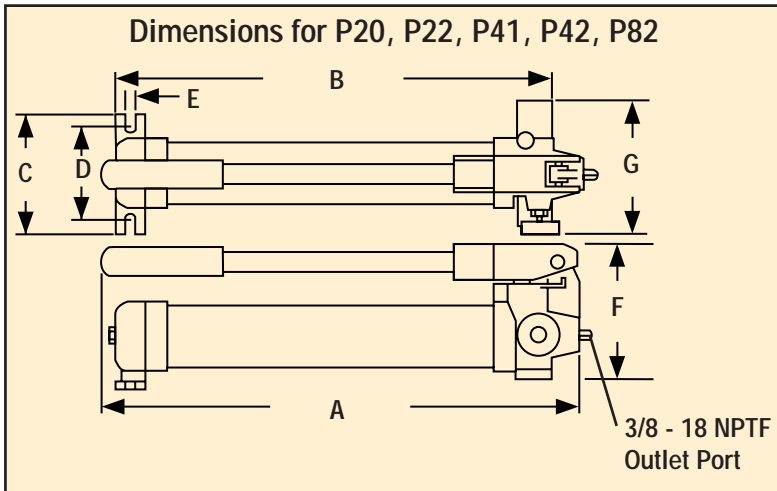
# HAND PUMPS

# LIGHT WEIGHT HAND PUMPS

Simplex Hand Pumps Are Light Weight & Easy To Use.



- 5 Models for maximum versatility.
- Light weight for maximum portability.
- All metal construction for durability.
- Carrying handles for easy pick-up.
- External adjustable relief valve.
- Low handle effort for easy operation.
- Single or two speed models.
- 3/8" NPTF outlet ports.



Simplex hand pumps can power a wide variety of hydraulic cylinders and tools. Light weight and portable, yet heavy duty, Simplex hand pumps are perfect for every manual pump application.

## Light Weight Hand Pumps For Single-Acting Cylinders

Model Number	Speed	Pressure Rating (PSI)	Oil Volume Per Stroke (cu. in.)	Usable Oil Capacity (cu. in.)	A (in)	B (in)	C (in)	D (in)	E Slot Size (in)	F (in)	G (in)	Weight (lbs)
P20	2	1 Stage 200	.82	20	13	11 1/2	2 5/8	1 1/2	19/32	5 3/4	4 3/4	10
		2 Stage 2850	.16									
P22	2	1 Stage 200	.23	45	13 1/2	11 1/2	2 5/8	1 1/2	19/32	5 3/4	5 3/4	18
		2 Stage 10,000	.06									
P41	1	10,000	.16	45	23	21 3/4	5	---	---	5 3/4	5 3/4	18
P42	2	1 Stage 200	.82	45	23	21 3/4	5	---	---	5 3/4	5 3/4	18
		2 Stage 10,000	.16									
P82	2	1 Stage 200	.82	145	23	17 1/2	5 1/2	5	1/2	6 5/8	5 3/4	24
		2 Stage 10,000	.16									