

The **Pow'r Claw** design is the result of several years of rigorous field and application analysis with track crews throughout the U.S. and Canada.

The new Pow'r Claw has several new features. The inverted design keeps water and dirt out of the jack, increasing the jack's performance, the hard chrome pistons resist corrosion, increasing jack life, and overload protection keeps the jack from failing if the load shifts.

A major factor in all Pow'r Claw track jacks is **operator safety!** The Pow'r Claw was specifically designed to allow one man operation for lifting heavy loads such as frogs, turn outs, diamonds and concrete tie sections. The low lever bar force **greatly reduces the risk of back injury.**

More importantly, the bar will not kick back and the operator is not at risk of being hit with the bar if it is inadvertently released.



**WEIGHS JUST
41 lbs / 18.6 Kg**

TJ109LS

- **The New Pow'r Claw™ model TJ109LS** weighs just **41 lbs. / 18,6 Kg** and the unique carrying handle allows for balanced carrying and doubles as a mini lever for fast raising up to the load. The lower profile makes this jack ideal for Maintenance of Way work.
- **TJ109LS New Reservoir Design** provides full and efficient operation, even when the jack is used in the horizontal position.
- **Overload Protection** from load shifts (the only track jack with this feature).



The TJ109LS is designed to stand up to all track applications.

- **The Light Weight TJ105A** Pow'r Claw packs 10 tons of force into a light weight (37 lbs. / 16,8 Kg), compact jack.
- **Light Weight / Obstructionless.** The TJ105AX Pow'r Claw packs 10 tons of force into a light weight, low height jack specifically made to be obstructionless.
- **Overload Protection** from load shifts (the only track jack with this feature).



TJ105A



TJ105AX

**For Use in
Obstructionless
Applications**



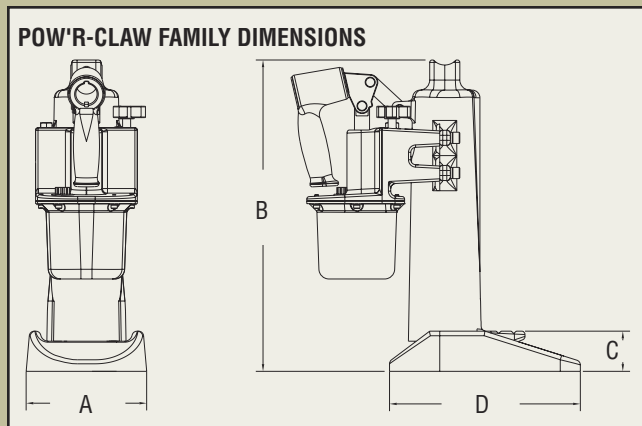
TJ109S

- **Light weight / Heavy duty** the TJ109S weighs about the same as a mechanical track jack & convenient swing down carrying handle allows easy handling & positioning.
- **Eliminate "Shake Off"**. The TJ109S can lift and lower in precise controlled amounts if desired.
- **Large Solid Base** provides more surface area greater support in soft ballast.
- **Low Handle Effort** allows easy, one man operation when lifting heavy loads such as diamonds, frogs and concrete tie sections.
- **No Kick Back** from lever bars if they are accidentally released. This greatly reduces the risk of injuries.
- **Overload Protection** from load shifts (the only track jack with this feature).



TJ109B

- **The Simple Bridge & Trestle Jack** incorporates all the features of the standard Pow'r Claw with the added feature of a narrow 3.75" / 95,2mm wide base.
- **The TJ109B** easily fits between double set ties, and the short lever bar and low handle effort greatly reduces the risks associated with jacking from bridges and trestles.
- **New Carrying Handle** provides easy jack placement in the horizontal position.
- **Swivel Load Cap** allows for the use of chain.
- **The TJ109B** can lift from the toe or the cap, making it ideal for spreading or jacking from piling or piers beneath the deck.



Pow'r Claw Hydraulic Track Jack

Model Number	Cap. (tons)	Stroke		Minimum Height				"A" x "D" Base Area		Max. Handle Effort		Method of Return	Weight	
				"C" Toe		"B" Cap							(lbs)	(Kg)
		(in)	(mm)	(in)	(mm)	(in)	(mm)							
TJ109LS	10	9	228,6	2	50,8	15.5	393,7	6 x 9.5	152,4 x 241,3	90	40,9	Spring	41	18,6
TJ109S				2.25	57,1	20.3	515,9	6 x 9	152,4 x 228,6				58	26,4
TJ109B				3.75	95,2	9.1	231,8	3.75 x 9	95,2 x 228,6				54	24,5
TJ105A		5	127	2	50,8	11.1	282,6	6 x 9	152,4 x 228,6				37	16,8
TJ105AX				3.3	84,1	9.1	231,8						39	17,7