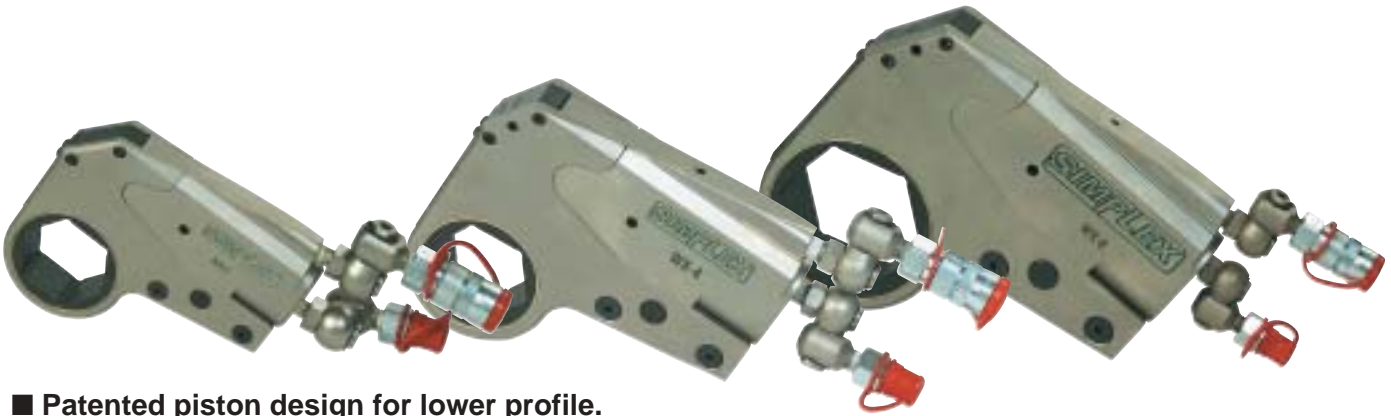


TORQUE WRENCHES

LOW CLEARANCE WRENCHES



- Patented piston design for lower profile.
- Wide range of links in 1/16" increments.
- In-line reaction for maximum strength.
- Light weight, high torque ratio.
- Quick and easy interchangeable links requiring no tools.
- Accurate to within $\pm 3\%$.
- Slim nose radius for easy positioning in close quarters.
- No leak couplers that swivel on double axis for easy operation.
- Plated wrenches resist corrosion.
- Links in both imperial and metric measurements.
- Optional reducer inserts available in imperial and metric sizes.
- Custom wrenches available upon request.

Optional Wrench Handle
 Optional handles are available for the WX-8, WX-16 & WX-32. The handle can be screwed on either side of the wrench or on top of the wrench.

Order #: WCH-1

"Simplex Low Clearance Torque Wrenches" are the thinnest while having the highest torque output available on the market. A patented "flat" cylinder design allows Simplex drive units to fit in the tightest spaces when other wrenches cannot. Light weight construction allows easy carrying and positioning.

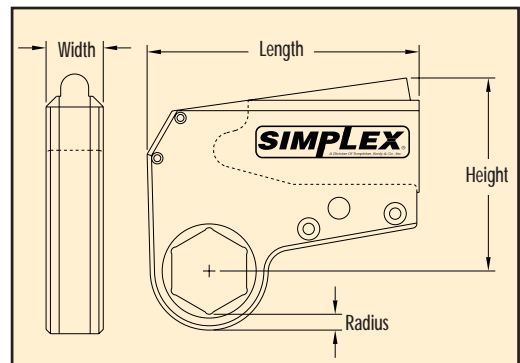


In-line reaction and compact design allows quick and easy torquing in close quarters.

LOW CLEARANCE DRIVE UNITS

Model Number	Length (in.)	Height (in.)	Radius (in.)	Max. Tool Width (in.)	Output (ft./lbs.)	*Weight (lbs.)
WX-2	5.67	4.00	0.36	1.25	1,930	3.5
WX-4	7.80	5.60	0.46	1.63	3,950	6
WX-8	9.80	7.00	0.54	2.05	8,630	11.7
WX-16	11.90	8.50	0.76	2.45	15,600	16
WX-32	15.30	10.90	0.93	3.24	31,600	34

Available Link Sizes (in./mm)	
From	To
3/4"/19mm	2 3/8"/60mm
1"/25mm	3 1/8"/80mm
1 7/8"/50mm	4"/90mm
2 5/8"/65mm	4 5/8"/115mm
3 1/8"/80mm	6 1/8"/155mm



*Weights are for Drive Units only. Weight on Links will vary by size.

LOW CLEARANCE WRENCHES

TORQUE WRENCHES

HOW TO BUILD YOUR LOW CLEARANCE WRENCH



1. Select a WX drive unit that will give you the amount of torque you are looking for.
2. Couple your WX drive unit with the WXL hex link that you will need. See chart below for specific WXL link.



When this power plant needed flange maintenance, engineers called on Simplex for solutions. Changing out flange seals requires precision torquing and minimal down time. Simplex power units and low clearance wrenches filled the plant's needs, saving significant cost and down time.

HEX REDUCER INSERTS

STACK SOCKET

HEX TO SQUARE DRIVE ADAPTOR

OPTIONAL WX - SERIES ACCESSORIES

ALCO ARM

LOW POINT REACTION PADDLE

Accessories are available in imperial and metric sizes.

LINKS FOR LOW CLEARANCE WRENCHES

Model Number for WX-2 Links	Hex Size (in.)	Model Number for WX-4 Links	Hex Size (in.)	Model Number for WX-4 Links	Hex Size (in.)	Model Number for WX-8 Links	Hex Size (in.)	Model Number for WX-8 Links	Hex Size (in.)	Model Number for WX-16 Links	Hex Size (in.)	Model Number for WX-32 Links	Hex Size (in.)	Model Number for WX-32 Links	Hex Size (in.)
WXL2-12	3/4	WXL4-16	1	WXL4-43	2 11/16	WXL8-30	1 7/8	WXL8-57	3 9/16	WXL16-42	2 5/8	WXL32-50	3 1/8	WXL32-87	5 7/16
WXL2-13	13/16	WXL4-17	1 1/16	WXL4-44	2 3/4	WXL8-31	1 15/16	WXL8-58	3 5/8	WXL16-43	2 11/16	WXL32-51	3 3/16	WXL32-88	5 1/2
WXL2-14	7/8	WXL4-18	1 1/8	WXL4-45	2 13/16	WXL8-32	2	WXL8-59	3 11/16	WXL16-44	2 3/4	WXL32-52	3 1/4	WXL32-89	5 9/16
WXL2-15	15/16	WXL4-19	1 3/16	WXL4-46	2 7/8	WXL8-33	2 1/16	WXL8-60	3 3/4	WXL16-45	2 13/16	WXL32-53	3 5/16	WXL32-90	5 5/8
WXL2-16	1	WXL4-20	1 1/4	WXL4-47	2 15/16	WXL8-34	2 1/8	WXL8-61	3 13/16	WXL16-46	2 7/8	WXL32-54	3 3/8	WXL32-91	5 11/16
WXL2-17	1 1/16	WXL4-21	1 5/16	WXL4-48	3	WXL8-35	2 3/16	WXL8-62	3 7/8	WXL16-47	2 15/16	WXL32-55	3 7/16	WXL32-92	5 3/4
WXL2-18	1 1/8	WXL4-22	1 3/8	WXL4-49	3 1/16	WXL8-36	2 1/4	WXL8-63	3 15/16	WXL16-48	3	WXL32-56	3 1/2	WXL32-93	5 13/16
WXL2-19	1 3/16	WXL4-23	1 7/16	WXL4-50	3 1/8	WXL8-37	2 5/16	WXL8-64	4	WXL16-49	3 1/16	WXL32-57	3 9/16	WXL32-94	5 7/8
WXL2-20	1 1/4	WXL4-24	1 1/2			WXL8-38	2 3/8			WXL16-50	3 1/8	WXL32-58	3 5/8	WXL32-95	5 15/16
WXL2-21	1 5/16	WXL4-25	1 9/16			WXL8-39	2 7/16			WXL16-51	3 3/16	WXL32-59	3 11/16	WXL32-96	6
WXL2-22	1 3/8	WXL4-26	1 5/8			WXL8-40	2 1/2			WXL16-52	3 1/4	WXL32-60	3 3/4	WXL32-97	6 1/16
WXL2-23	1 7/16	WXL4-27	1 11/16			WXL8-41	2 9/16			WXL16-53	3 5/16	WXL32-61	3 13/16	WXL32-98	6 1/8
WXL2-24	1 1/2	WXL4-28	1 3/4			WXL8-42	2 5/8			WXL16-54	3 3/8	WXL32-62	3 7/8		
WXL2-25	1 9/16	WXL4-29	1 13/16			WXL8-43	2 11/16			WXL16-55	3 7/16	WXL32-63	3 15/16		
WXL2-26	1 5/8	WXL4-30	1 7/8			WXL8-44	2 3/4			WXL16-56	3 1/2	WXL32-64	4		
WXL2-27	1 11/16	WXL4-31	1 15/16			WXL8-45	2 13/16			WXL16-58	3 5/8	WXL32-65	4 1/16		
WXL2-28	1 3/4	WXL4-32	2			WXL8-46	2 7/8			WXL16-60	3 3/4	WXL32-66	4 1/8		
WXL2-29	1 13/16	WXL4-33	2 1/16			WXL8-47	2 15/16			WXL16-62	3 7/8	WXL32-68	4 1/4		
WXL2-30	1 7/8	WXL4-34	2 1/8			WXL8-48	3			WXL16-64	4	WXL32-70	4 3/8		
WXL2-31	1 15/16	WXL4-35	2 3/16			WXL8-49	3 1/16			WXL16-66	4 1/8	WXL32-72	4 1/2		
WXL2-32	2	WXL4-36	2 1/4			WXL8-50	3 1/8			WXL16-68	4 1/4	WXL32-74	4 5/8		
WXL2-33	2 1/16	WXL4-37	2 5/16			WXL8-51	3 3/16			WXL16-70	4 3/8	WXL32-76	4 3/4		
WXL2-34	2 1/8	WXL4-38	2 3/8			WXL8-52	3 1/4			WXL16-72	4 1/2	WXL32-78	4 7/8		
WXL2-35	2 3/16	WXL4-39	2 7/16			WXL8-53	3 5/16			WXL16-74	4 5/8	WXL32-80	5		
WXL2-36	2 1/4	WXL4-40	2 1/2			WXL8-54	3 3/8					WXL32-82	5 1/8		
WXL2-37	2 5/16	WXL4-41	2 9/16			WXL8-55	3 7/16					WXL32-84	5 1/4		
WXL2-38	2 3/8	WXL4-42	2 5/8			WXL8-56	3 1/2					WXL32-86	5 3/8		