

TORQUE WRENCHES

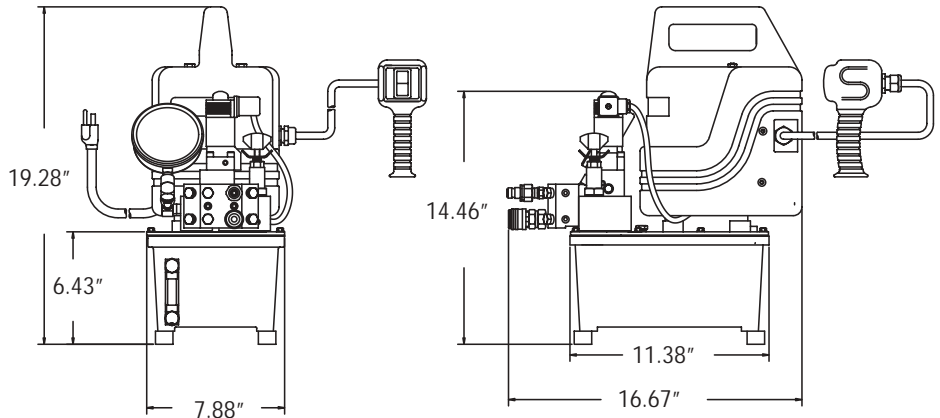
TORQUE WRENCH PUMPS

- The PET20 Series is a light weight, two speed, easy to carry workhorse, ideal for smaller wrenches.
- The PET70 Series is a fast, two speed design with higher crossover, ideal for larger wrenches.
- The PET 70 Series is available in 4 port or 8 port configurations for 2 or 4 tool simultaneous operation.
- Rated for continuous duty.
- PET7042 incorporate a psi/bar top mounted gauge at a 30° angle for accurate control.
- PET7842 incorporate a psi/bar flush mounted gauge for accurate control.
- Ideal for use with long extension cords.
- Quick-connect, No-Drip couplers with Safety Locking Collar.
- PET2041 & PET7042 incorporate an auto shut-off switch to prevent inadvertent overheating.
- Powerful permanent magnet motor starts at full load and runs on as little as 60 VAC.
- Pumps include one set of couplers installed for single tool use.

PET2041 - .5 HP ELECTRIC POWER UNIT



PET2841



Model Number	Resvr. Size (Gal.)	Valve		Motor Control	*Manifold	Motor Specifications (Permanent Magnet)	Flow Rate @ 115 VAC		Weight (lbs)	Type of Wrench
		Control	Type				600	10,000		
PET2041	1	Solenoid	4 Way/3 Pos.	Auto Shut-Off	8 Ports for 4 Tool Use	0.5 HP Single Phase	400	20	65	Double Acting
PET2841				Manual Shut-Off	2 Ports for 1 Tool Use					

Optional multi-port kit for the PET2841, order (1) WMT4 bolt-on manifold kit and a CTP212 for each additional tool you need up to 4 tools maximum. Retract pressure is preset at 1,300 PSI.

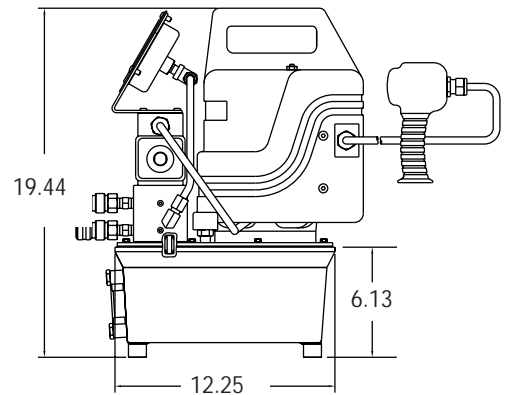
PET7042 - 1.5 HP ELECTRIC POWER UNIT



PET7042



PET7842



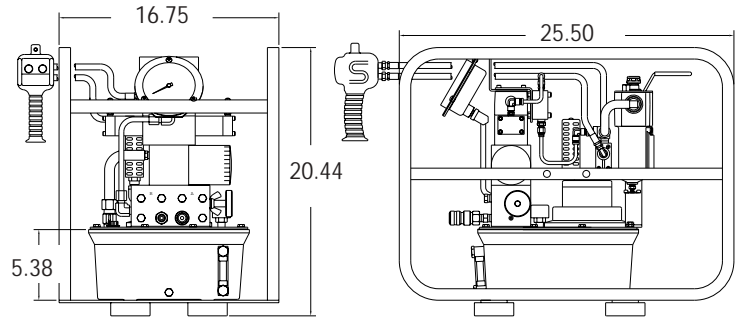
Model Number	Resvr. Size (Gal.)	Valve		*Manifold	Pump Coupler Set	Motor Specifications (Permanent Magnet)	Flow Rate @ 115 VAC		Weight (lbs)	Type of Wrench
		Control	Type				600	10,000		
PET7042	2	Solenoid	4 Way/3 Pos.	8 Ports for 4 Tool Use	CTP212	1.5 HP Single Phase	400	50	75	Double Acting
PET7842				4 Ports for 2 Tool Use						

*Order a CTP212 for each additional tool to be used simultaneously with a single pump. Retract pressure is preset at 1,300 PSI

PUMP & ACCESSORIES

TORQUE WRENCHES

PAT4542 - 1.5 HP AIR POWER UNIT



- Air powered for use in hazardous environments.
- The 8 port configuration allows operation of up to 4 tools simultaneously.
- Rated for continuous duty.
- Auto dump relieves all pressure from hoses for added safety.
- Fast two speed design with higher crossover.
- Includes psi/bar pressure gauge which is top mounted at a 30° angle for accurate control.
- Quick-connect, No-Drip couplers with Safety Locking Collar.
- External filter & roll bars standard.
- Pumps include one set of couplers installed for single tool use.

Model Number	Resvr. Size (Gal.)	Valve		*Manifold	Pump Coupler Set	Motor Specifications	Flow Rate (cu. in.) @ 50 cfm/90 psi		Weight (lbs)	Type of Wrench
		Control	Type							
PAT4542	2	Solenoid	4 Way/3 Pos.	8 Ports for 4 Tool Use	CTP212	1.5 HP Rotary Air	400	50	50	Double Acting
PAT5042				2 Ports for 1 Tool Use		4 HP Rotary Air	550	80		

*Order a CTP212 for each tool to be used simultaneously with a PAT4542.
Retract pressure is preset at 1,300 PSI.

TORQUE WRENCH INTENSIFIER

Model Number	Valve		Input Flow Range (GPM)	Input Pres. (PSI)	Output Pres. Max. (PSI)	Output Flow Range (GPM)	Output Flow Ratio	Output Pres. Ratio	Weight (lbs)
	Type	Function							
PIT4	4 Way/3 Position	Advance/Hold/Retract	5 - 10	300-2,000	10,000	2	1:5	5:1	30



TORQUE WRENCH HOSES

Model Number	Length (Ft.)	Hose Type
WH-15	15	15' Blue & Yellow Duplex Hose w/ Quick Disconnect Couplers
WH-20	20	20' Blue & Yellow Duplex Hose w/ Quick Disconnect Couplers
WH-40	40	40' Blue & Yellow Duplex Hose w/ Quick Disconnect Couplers



TORQUE WRENCH GAUGES

Model Number	Dia (in)	Increments (psi/bar)	Type of Gauge
G7	4	100/10	0 to 10,000 PSI / 0 to 700 BAR Liquid Filled Gauge



Standard on all Simplex Torque Wrench Pumps.

TORQUE WRENCH COUPLERS

Model Number	NPTF (in.)	Coupler Type
CT210	1/4	10,000 PSI/700 BAR Male Coupler
CT211		10,000 PSI/700 BAR Female Coupler
CT212		10,000 PSI/700 BAR Coupler Complete
CTP212*		10,000 PSI/700 BAR Pump Coupler Set



*Includes coupler complete plus pump mounting hardware.