

# TORQUE WRENCHES

## SQUARE DRIVE WRENCHES



When roller coasters at a popular theme park needed maintenance, park engineers called on Simplex for solutions. Assembly of a critical drive shaft required precision torquing and minimal down time. Simplex power units and square drive wrenches filled the park's needs, saving significant cost and down time.

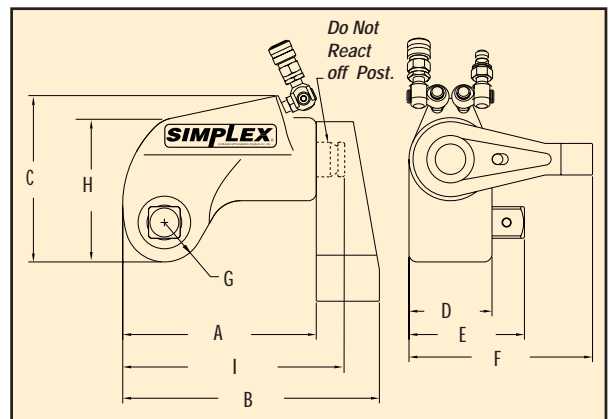
- Harden alloy square drive provides long life.
- No reaction pawl, ELIMINATES tool lockup.
- 27° Stroke for high performance and speed.
- Torque chart & safety information engraved on the tool.
- Push through square drive switches from loosen to tighten instantly.
- Light weight, high torque ratio.
- Compact Uni-Body design for maximum strength.
- Accurate to within  $\pm 3\%$ .
- Slim nose radius for easy positioning in close quarters.
- No leak couplers that swivel on double axis for easy operation.
- Custom wrenches available upon request.
- Special reaction arms and reaction arm extensions available.
- Anti-backlash mechanism prevents tool from backdriving.
- Internal reaction arm spline allows operator to react against the tool body without risk of damage.

**Optional Wrench Handle**  
 Optional handles are available for the WT-5, WT-10 & WT-27. The handle can be screwed on either side of the wrench or on top of the wrench.

Order #: WCH-1



Rail car shock mounting bolts require fast & accurate torquing for change out & maintenance. This rail car maintenance shop relies on a Simplex torque wrench to quickly & easily torque bolts to demanding railroad specifications. "The compact size fits where other wrenches would not & provides more than enough power to do the job right."



### SQUARE DRIVE WRENCH SPECIFICATIONS

Model Number	A Length (in.)	B Length (in.)	C Height (in.)	D Width (in.)	E Width (in.)	F Width (in.)	G Radius (in.)	H Height (in.)	I Length (in.)	Wgt. (lbs.)	Output (ft./lbs.)	Square Drive (in.)	Available Socket Size (in.)	Available Socket Size (mm)
WT-2	4.68	6.10	4.20	2.00	2.76	4.42	0.98	3.42	5.32	3.90	1,270	3/4	1/2 - 2 3/8	13 - 60
WT-3	6.10	8.10	5.30	2.62	3.68	5.81	1.30	4.54	6.68	9.00	3,330	1	3/4 - 4 1/2	19 - 114
WT-5	8.00	10.74	6.99	3.61	5.06	7.98	1.70	6.05	9.48	19.00	7,170	1 1/2	1 5/16 - 5 3/8	33 - 137
WT-10	9.21	12.21	7.79	3.93	5.43	8.72	1.95	6.70	10.36	29.00	11,010			
WT-27	12.29	16.29	10.19	5.26	7.73	11.63	2.43	8.82	13.87	70.00	27,200	2 1/2	1 5/8 - 9 1/4	41 - 235

# SQUARE DRIVE WRENCHES

# TORQUE WRENCHES



## SOCKETS FOR 3/4", 1" & 1 1/2" DRIVE WRENCHES

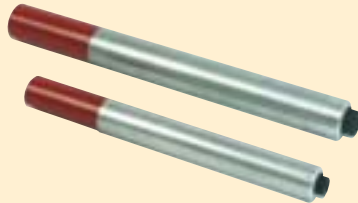
Model Number for 3/4" Drive WT-2 Wrench	Socket Size (in.)	Model Number for 1" Drive WT-3 Wrench	Socket Size (in.)	Model Number for 1" Drive WT-3 Wrench	Socket Size (in.)	Model Number for 1" Drive WT-3 Wrench	Socket Size (in.)	Model Number for 1 1/2" Drive WT-5 & 10 Wrench	Socket Size (in.)	Model Number for 1 1/2" Drive WT-5 & 10 Wrench	Socket Size (in.)
WST1212	3/4 x 3/4	WST1612	1 x 3/4	WST1633	1 x 2 1/16	WST1654	1 x 3 3/8	WST2422	1 1/2 x 1 3/8	WST2443	1 1/2 x 2 11/16
WST1213	3/4 x 13/16	WST1613	1 x 13/16	WST1634	1 x 2 1/8	WST1655	1 x 3 7/16	WST2423	1 1/2 x 1 7/16	WST2444	1 1/2 x 2 3/4
WST1214	3/4 x 7/8	WST1614	1 x 7/8	WST1635	1 x 2 3/16	WST1656	1 x 3 1/2	WST2424	1 1/2 x 1 1/2	WST2445	1 1/2 x 2 13/16
WST1215	3/4 x 15/16	WST1615	1 x 15/16	WST1636	1 x 2 1/4	WST1657	1 x 3 9/16	WST2425	1 1/2 x 1 9/16	WST2446	1 1/2 x 2 7/8
WST1216	3/4 x 1	WST1616	1 x 1	WST1637	1 x 2 5/16	WST1658	1 x 3 5/8	WST2426	1 1/2 x 1 5/8	WST2447	1 1/2 x 2 15/16
WST1217	3/4 x 1 1/16	WST1617	1 x 1 1/16	WST1638	1 x 2 3/8	WST1659	1 x 3 11/16	WST2427	1 1/2 x 1 11/16	WST2448	1 1/2 x 3
WST1218	3/4 x 1 1/8	WST1618	1 x 1 1/8	WST1639	1 x 2 7/16	WST1660	1 x 3 3/4	WST2428	1 1/2 x 1 3/4	WST2449	1 1/2 x 3 1/16
WST1219	3/4 x 1 3/16	WST1619	1 x 1 3/16	WST1640	1 x 2 1/2	WST1661	1 x 3 13/16	WST2429	1 1/2 x 1 13/16	WST2450	1 1/2 x 3 1/8
WST1220	3/4 x 1 1/4	WST1620	1 x 1 1/4	WST1641	1 x 2 9/16	WST1662	1 x 3 7/8	WST2430	1 1/2 x 1 7/8	WST2451	1 1/2 x 3 3/16
WST1221	3/4 x 1 5/16	WST1621	1 x 1 5/16	WST1642	1 x 2 5/8			WST2431	1 1/2 x 1 15/16	WST2452	1 1/2 x 3 1/4
WST1222	3/4 x 1 3/8	WST1622	1 x 1 3/8	WST1643	1 x 2 11/16			WST2432	1 1/2 x 2	WST2453	1 1/2 x 3 5/16
WST1223	3/4 x 1 7/16	WST1623	1 x 1 7/16	WST1644	1 x 2 3/4			WST2433	1 1/2 x 2 1/16	WST2454	1 1/2 x 3 3/8
WST1224	3/4 x 1 1/2	WST1624	1 x 1 1/2	WST1645	1 x 2 13/16			WST2434	1 1/2 x 2 1/8	WST2455	1 1/2 x 3 7/16
WST1225	3/4 x 1 9/16	WST1625	1 x 1 9/16	WST1646	1 x 2 7/8			WST2435	1 1/2 x 2 3/16	WST2456	1 1/2 x 3 1/2
WST1226	3/4 x 1 5/8	WST1626	1 x 1 5/8	WST1647	1 x 2 15/16			WST2436	1 1/2 x 2 1/4	WST2457	1 1/2 x 3 9/16
WST1227	3/4 x 1 11/16	WST1627	1 x 1 11/16	WST1648	1 x 3			WST2437	1 1/2 x 2 5/16	WST2458	1 1/2 x 3 5/8
WST1228	3/4 x 1 3/4	WST1628	1 x 1 3/4	WST1649	1 x 3 1/16			WST2438	1 1/2 x 2 3/8	WST2459	1 1/2 x 3 11/16
WST1229	3/4 x 1 13/16	WST1629	1 x 1 13/16	WST1650	1 x 3 1/8			WST2439	1 1/2 x 2 7/16	WST2460	1 1/2 x 3 3/4
WST1230	3/4 x 1 7/8	WST1630	1 x 1 7/8	WST1651	1 x 3 3/16			WST2440	1 1/2 x 2 1/2		
WST1231	3/4 x 1 15/16	WST1631	1 x 1 15/16	WST1652	1 x 3 1/4			WST2441	1 1/2 x 2 9/16		
WST1232	3/4 x 2	WST1632	1 x 2	WST1653	1 x 3 5/16			WST2442	1 1/2 x 2 5/8		

Impact Rated 6 point sockets are available from Simplex.

To order specify both the square drive size and the socket size or determine the Simplex part number from the chart above.

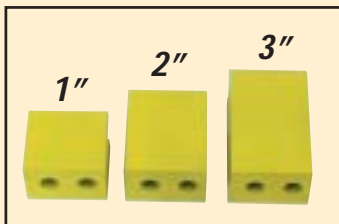
## ALCO REACTION ARMS

Model Number	Length (in)
WT2-ALCO	18.00
WT3-ALCO	22.25
WT5-ALCO	21.00
WT10-ALCO	23.50
WT27-ALCO	N/A



## 1", 2" & 3" REACTION ARM EXTENSIONS

Model Number	Length (in)
WT3-EX1	1
WT3-EX2	2
WT3-EX3	3
WT5-EX1	1
WT5-EX2	2
WT5-EX3	3
WT10-EX1	1
WT10-EX2	2
WT10-EX3	3



To order, specify both the type of WT-Series Wrench and the Allen head size. Additional Allen sizes are available in both imperial and metric sizes.

## ALLEN HEX DRIVES FOR WT-SERIES WRENCHES

Model Number	Wrench Model	Allen Hex Size (in.)	Maximum Torque (ft./lbs)
WA-1208	WT-2	1/2	395
WA-1210		5/8	740
WA-1212		3/4	1,270
WA-1214		7/8	1,270
WA-1216		1	1,270
WA-1610	WT-3	5/8	740
WA-1612		3/4	1,330
WA-1614		7/8	2,070
WA-1616		1	3,100
WA-1618		1 1/8	3,330
WA-1620	1 1/4	3,330	
WA-2414	WT-5	7/8	2,070
WA-2416		1	3,100
WA-2418		1 1/8	4,355
WA-2420		1 1/4	6,275
WA-2422		1 3/8	7,170
WA-2424	1 1/2	7,170	
WA-2420-10	WT-10	1 1/4	6,275
WA-2422-10		1 3/8	7,750
WA-2424-10		1 1/2	10,500
WA-2426-10		1 5/8	10,500
WA-2428-10		1 3/4	10,500
WA-4024	WT-27	1 1/2	10,500
WA-4026		1 5/8	13,280
WA-4028		1 3/4	16,230
WA-4030		1 7/8	27,200
WA-4032		2	27,200
WA-4036		2 1/4	27,200

**Allen Hex Drives Use The Standard Reaction Arm. No Additional Reaction Equipment Is Required.**